

# ULYXE FAMILY



## ULYXE FAMILY SERIES

The Ulyxe product line provides ideal laser marking solutions for both stand-alone applications and industrial production lines. -

Integrated 6 W DPSS laser marking system, due to its cost-effective, innovative design, Ulyxe becomes the first choice in marking solutions by providing the best price/performance for plastic and metal marking applications.

### ALL-IN-ONE COMPACT LASER

- Air-cooled, , reduced footprint ultra-compact design.
- “all inclusive” design: scanning head, power & control electronics, marking controller, diagnostic and software suite.
- Embedded visible aiming beam and focus beam for fast and easy focusing setup and marking operations.
- User-friendly touch screen LCD display for monitor and control laser status and functions.
- Patented, high efficiency laser configuration.
- Best Price to Performance ratio on the market

## FLEXIBLE CONFIGURATION

Ulyxe laser family is available in two different configurations to meets the requirements of wide range of applications and industries.

### USB EMBEDDED

Thanks to the embedded DSP controller, perfectly combines compact dimensions with user friendly interface and control software (LIGHTER Suite): installation, setup and marking has never been easier. This configuration is available both in polycarbonate or metal case.

### IMARK CONTROL KIT

Ulyxe is now fully compatible with Mark PCIe control platform controller, enabling advanced Lighter features and up to 4 axis controls (X,Y,Z and rotative axis) to implement multi-layers and rotating marking . Ulyxe with iMark is available only with metal cover



## APPLICATION

Ulyxe series has been developed to satisfy requirements in automotive, electronics, healthcare and fine mechanics industries, in stand-alone or automatic production lines

- Label Marking
- DPM (Direct Part Marking)
- Tool marking
- Marking on surgical tools/devices

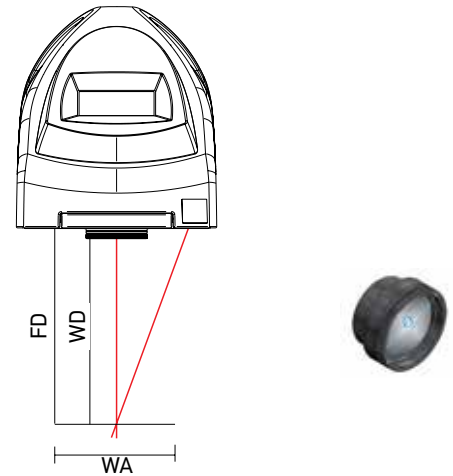


# ULYXE

CHARACTERISTICS	
<b>Nominal Power</b>	6 W ± 5% (@ 50kHz)
<b>Wavelength</b>	1064 nm
<b>Laser Source</b>	Q-switched DPSS
<b>Repetition Rate Range</b>	15 -200 kHz
<b>Pulse Width (Typ)</b>	20-25 ns@20kHz
<b>Aiming &amp; Focus Beam</b>	Semiconductor laser 635 nm
<b>Interface</b>	USB embedded: USB 2.0 ; RS232 for diagnostic iMark controller version: PCIe; RS232 for diagnostic
<b>I/O extension (iMark configuration only)</b>	4 axis controls (X,Y,Z and rotative axis) Up to 16 digital programmable I/O
<b>Temperature Range</b>	Operative 15°C to 35°C – Storing -5 to +55 °C
<b>Cooling System</b>	Air cooled
<b>Power Supply</b>	24VDC/13A
<b>Laser Power Consumption</b>	Typical 200W – Maximum 300W
<b>Dimension &amp; Weight</b>	mm 425,9 x 154 x 170,5    kg 7,5 (for Embedded configuration) mm 410 x 145.6 x 123.5    kg 7,8 (for Marking kit configuration)
<b>IP Rating**</b>	21

\*without F-Theta scan lens  
\*\*in horizontal position only

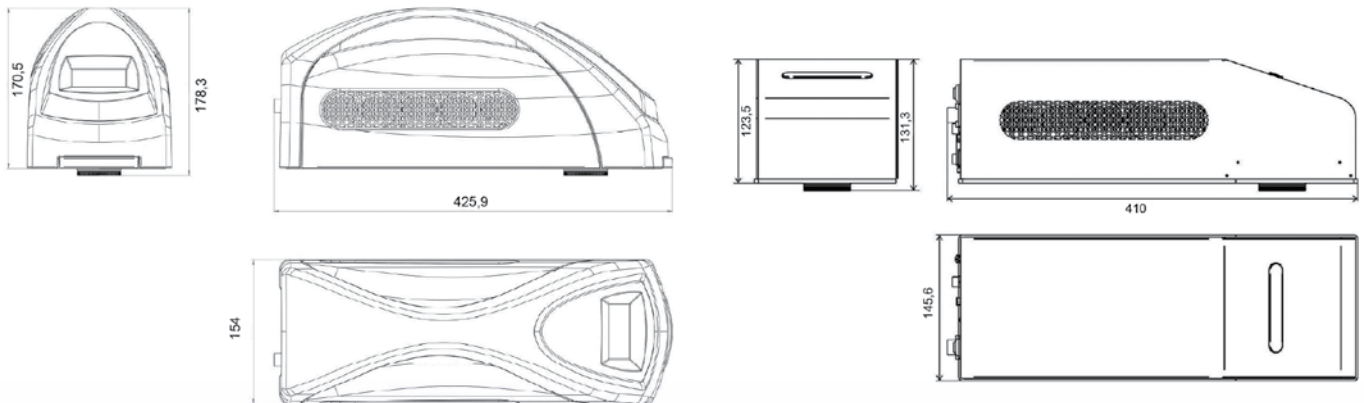
All laser sources described in this product guide are Class 4 laser sources. Laser interaction with organic or inorganic material can cause TOXIC FUMES/PARTICLES. The OEM laser components described in this product guide is for sale solely to qualified manufacturers, who shall provide interlocks, indicators and other appropriate safety features in full compliance with applicable national and local regulations.



<b>Objective F-Theta mm</b>	f=160S (M39x1)	f=254S (M39x1)
<b>Working distance (WD) mm</b>	178	282
<b>Fixing distance (FD) mm</b>	186	298
<b>Working area (mm x mm)</b>	100x100	140x140

Other f-Theta focal lengths available on request

## DIMENSIONS



ULYXE EMBEDDED

ULYXE MARKING KIT

## MODEL SELECTION AND ORDER INFORMATION

MODEL	DESCRIPTION	ORDER NO.
Ulyxe 6W@1064 w/out F-Lens	ULYXE 1066-1010 DPSS IR System	985130003
Ulyxe 6W@1064 F160S-M39	ULYXE 1066-1310 DPSS IR System	985130001
Ulyxe 6W@1064 F254S-M39	ULYXE 1066-1610 DPSS IR System	985130018
Ulyxe PL 6W@1064 w/out F	ULYXE 1066-1015 DPSS IR System	985130102
Ulyxe PL 6W@1064 F160S-M39	ULYXE 1066-1315 DPSS IR System	985130101
Ulyxe PL 6W@1064 F254S-M39	ULYXE 1066-1615 DPSS IR System	985130019
Ulyxe PL iMark 6W@1064 w/out F-Lens	ULYXE 1066-1035 DPSS IR System	985130013
Ulyxe PL iMark 6W@1064 F160S-M39	ULYXE 1066-1335 DPSS IR System	985130014
Ulyxe PL iMark 6W@1064 F254S-M39	ULYXE 1066-1635 DPSS IR System	985130020



Rev. 03, 07/2019

The company endeavours to continuously improve and renew its products; for this reason the technical data and contents of this catalogue may undergo variations without prior notice. For correct installation and use, the company can guarantee only the data indicated in the instruction manual supplied with the products. Product and Company names and logos referenced may be either trademarks or registered trademarks of their respective companies. We reserve the right to make modifications and improvements.