



CONNECTRIC
SYSTEMS INC.

28-207 Edgeley Blvd., Concord, Ontario, L4K 4B5
Ph: 905-669-0080 Fax: 905-669-0082
www.connectric.com info@connectric.com



VISION

MX-Series Vision Processors provide the highest performance in image processing with even more flexibility through multi-camera support. Three models allow you to choose the correct level of performance based on your application needs.

The MX20 Series is an entry-level, affordable processor featuring an Intel® T3100 dual core 1.90 GHz processor and two independent PoE (Power over Ethernet) camera ports. The MX20 offers a cost-effective means to migrate from smart-camera applications to an embedded vision system.

The MX40 Series is a rugged and compact embedded vision processor that features Intel® multi-core processors and four independent PoE (Power over Ethernet) camera ports. The MX40's long-life embedded components provide a very robust and reliable vision system for critical inspection applications.

The next-generation MX80 Vision Processor extends the power and performance of MX-Series to faster applications, advanced algorithms and higher-resolutions with its Intel® Core™ i7 quad-core processor, 8GB memory and four independent Gigabit PoE (Power over Ethernet) ports.



BENEFITS

- Easily integrates with Datalogic P, A and T-Series smart cameras for data sharing and intercamera communication without a PC
- Lower installation cost
- Combines up to four unique camera capabilities for application-specific requirements
- Simplifies cabling by eliminating the need for camera power cables
- Shared processing reduces cost per inspection point
- Increased inspection power delivers higher inspection rates

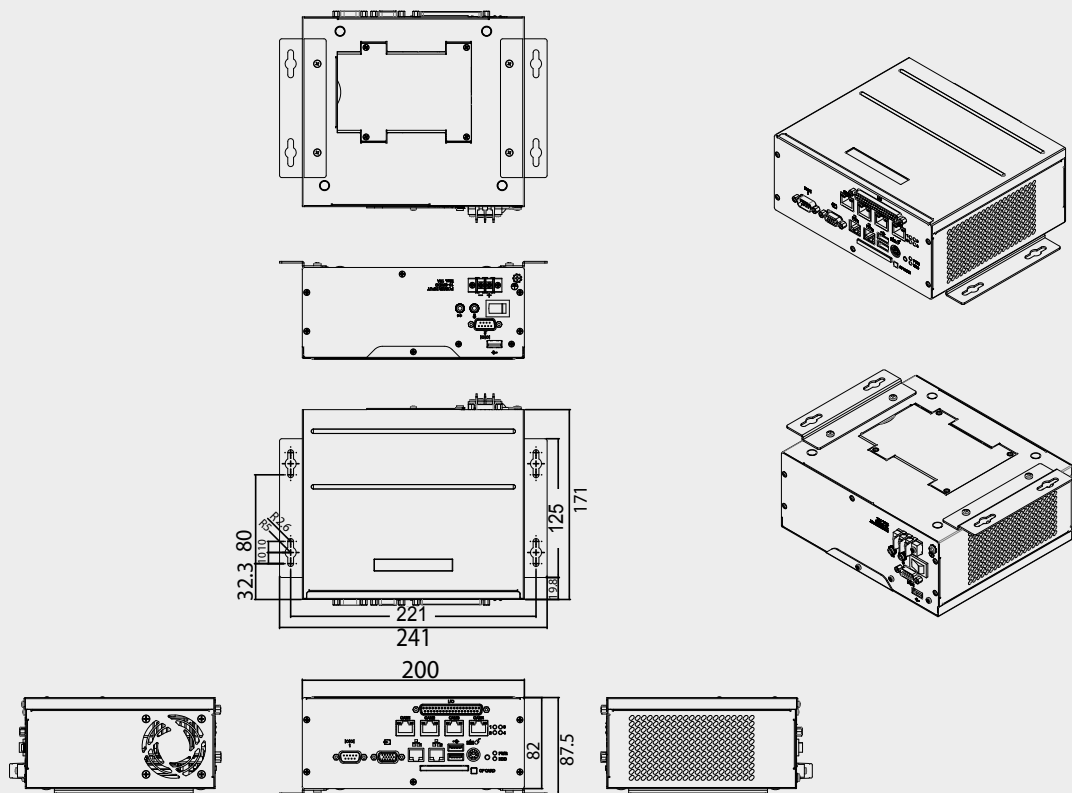
HIGHLIGHTS

- Multi-camera capability – Reduces integration costs on a per camera basis and allows data collection and analysis from multiple inspection points
- Supports over 100 different GigE Vision cameras including line scan, high resolution and IP rated cameras for access to the largest selection of cameras
- Allows for the use of different camera formats and resolutions on one processor – offers easy setup resulting in reduced integration costs
- Complete IMPACT software suite included for ultimate programming flexibility – addresses any inspection and user interface needs
- 2 or 4 Channel Power over Ethernet (PoE) camera ports – integrates easily. PoE compliant cameras need no power cables and support up to 100 meter cable lengths

TECHNICAL SPECIFICATIONS

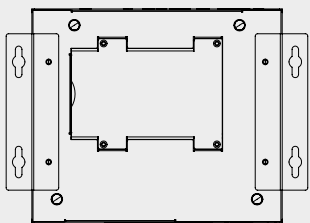
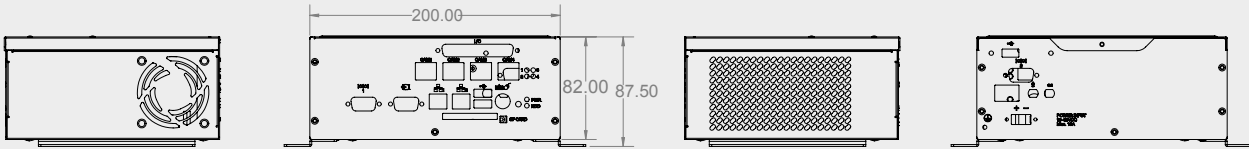
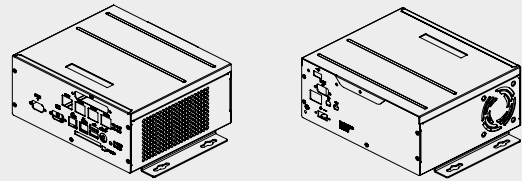
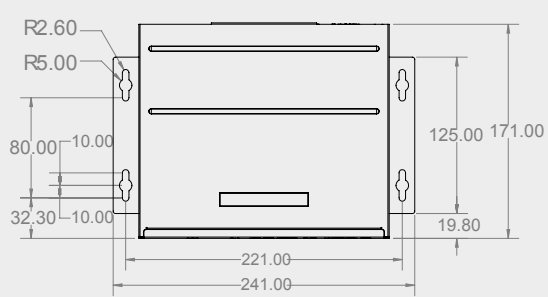
	MX20	MX40	MX80
CPU	Intel® T3100 dual-core 1.90 GHz	Intel® P8400 dual-core 2.26 GHz	Intel® Core i7-2710QE 4-core 2.10 GHz
System Memory	4 GB DDR3 RAM		4 GB DDR3 RAM 8 GB DDR3 RAM (Win 7)
Storage	40 GB (Win XP) 80 GB (Win 7)		
Graphics	Intel® GM45/ICH9 video chipset (1600 x 1200 resolution), VGA		Intel® QM67 Express chipset (2048 x 1536 resolution), DVI
Camera Interface	2x 1000 Mbps Base-T, PoE camera ports (up to 7 W per channel)	4x 1000 Mbps Base-T, PoE camera ports (up to 7 W per channel)	
Camera Imager Limit	2Mpixel or lower No LineScan support	None	
Network Interface	2x 10/100/1000 Mbps Base-T LAN ports		
Serial Communications	2x RS-232 serial ports		5x RS-232 serial ports
USB	3x USB 2.0 ports		4x USB 2.0 ports 2x USB 3.0 ports
Keyboard/Mouse	Combined PS/2 type mini-DIN connectors		
Comm Connectivity	Supports Ethernet/IP, Modbus TCP and OPC		
I/O	16x isolated digital inputs 16x isolated digital outputs 2x event inputs (shared with the Polled Inputs)		
Operating System	Windows XP Pro (32-Bit OS, SP3) Windows 7 Pro Embedded		
Power Requirements	24 VDC (+/- 10%, 3.5 amp min)		
Dimensions	200 mm x 85 mm x 165 mm (7.8 in. x 3.3 in. x 6.5 in.)		230 mm x 82 mm x 206 mm (9.06 in. x 3.23 in. x 8.11 in.)
Operating Temperature	0 to 55° C (+32 to +131° F)		
Humidity	0 to 90% (non-condensing)		
Certification (Safety Compliance)	CE/FCC, RoHS, UL		

DIMENSIONS

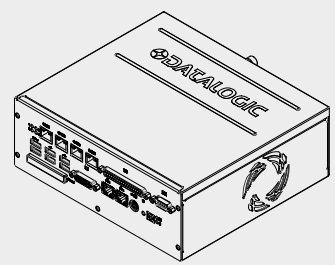
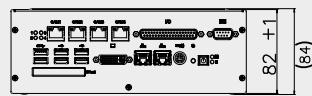
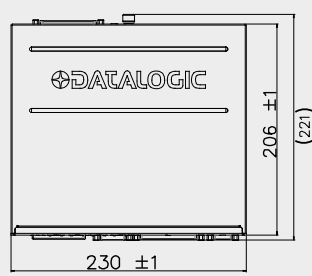
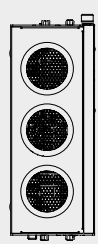
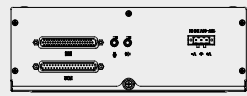
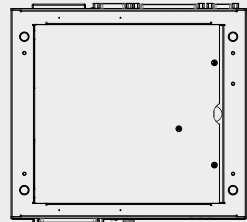


DIMENSIONS

MX40



MX80



M-CAMERAS

M-Series cameras allow for fast integration to solve the most complex machine vision applications. The unique ability to mix and match color, gray-scale, multi imager, area and line scan cameras with an MX-Series processor lets you define, select and deploy the perfect imaging solution for high-speed, multi-camera machine vision inspections.



M100 Series



M200 Series



M300 Series



M500 Series

BENEFITS

- GigE compatible for fast integration with MX-Series processors
- Compact size fits many machine configurations
- High-speed trigger input
- High-speed strobe light output
- C-mount lens support
- IP30 rated housing
- CE, FCC and RoHS compliant
- Utilizes color inspection tools

HIGHLIGHTS

- GigE compatible for easy communication to MX Series processors
- VGA to 5MP resolution, in both gray scale and color
- Camera settings fully controllable by IMPACT Software
- Power over Ethernet (PoE) reduces cabling complexity (only M1xx)
- Small form factor (as little as 29 mm x 29 mm x 60 mm) enables mounting in space-constrained locations
- Asynchronous triggering enables each camera to independently capture images at rates up to 210 frames per second (fps)
- Trigger and strobe I/O on camera eases integration

TECHNICAL SPECIFICATIONS

AREASCAN

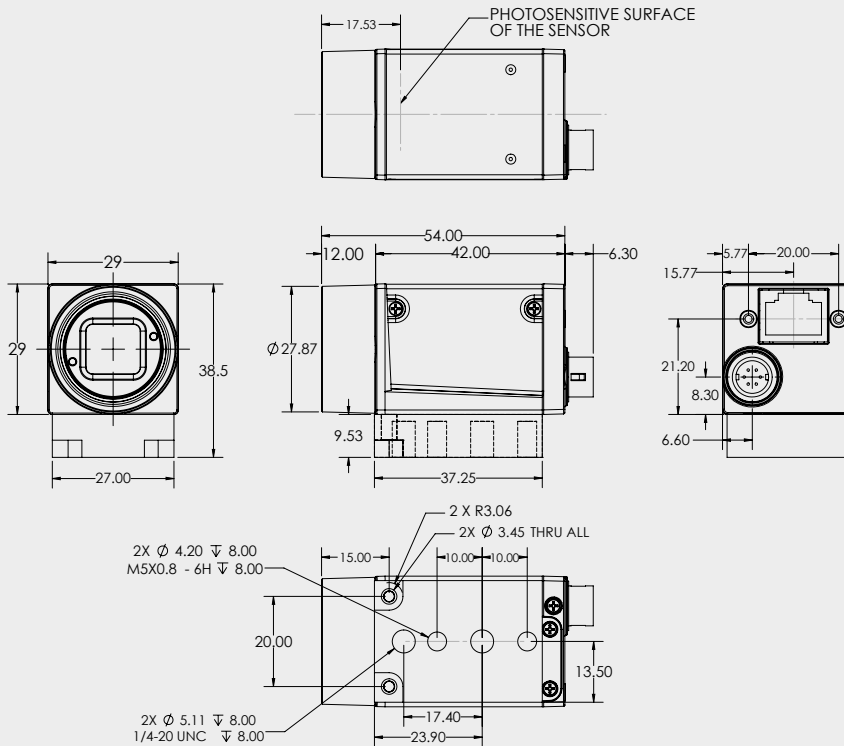
	GRAY-SCALE MODEL	COLOR MODEL	RESOLUTION	IMAGER	SHUTTER	FRAME RATE (FPS)	PoE
	M100	M100C	640 x 480	1/4" CCD	Global	100	▪
	M110	M110C	640 x 480	1/3" CCD	Global	90	▪
	M115	M115C	659 x 494	1/2" CCD	Global	100	▪
	M125	M125C	782 x 582	1/2" CCD	Global	75	▪
	M150	M150C	1296 x 966	1/3" CCD	Global	30	▪
	M180	M180C	1628 x 1236	1/1.8" CCD	Global	20	▪
	M190	M190C	2048 x 1088	2/3" CMOS	Global	50	▪
	M195	M195C	2048 x 2048	1" CMOS	Global	25	▪
	M197	M197C	2592 x 1944	1/2.5" CMOS	Rolling	14	▪
	M200	M200C	659 x 494	1/3" CCD	Global	70	▪
	M202	M202C	659 x 494	1/2" CCD	Global	79	▪
	M205	M205C	752 x 480	1/3" CMOS	Global	64	▪
	M210	M210C	782 x 582	1/2" CCD	Global	55	▪
	M230	M230C	1034 x 779	1/3" CCD	Global	31	▪
	M250	M250C	1280 x 960	1/3" CCD	Global	32	▪
	M270	M270C	1392 x 1040	2/3" CCD	Global	30	▪
	M290	M290C	1628 x 1236	1/1.8" CCD	Global	14	▪
	M295	M295C	1628 x 1236	1/1.8" CCD	Global	28	▪
	M300	M300C	648 x 488	1/3" CCD	Global	210	▪
	M330	M330C	1004 x 1004	2/3" CCD	Global	60	▪
	M350	M350C	1608 x 1208	1" CCD	Global	35	▪
	M390	M390C	2448 x 2050	2/3" CCD	Global	17	▪

LINESCAN

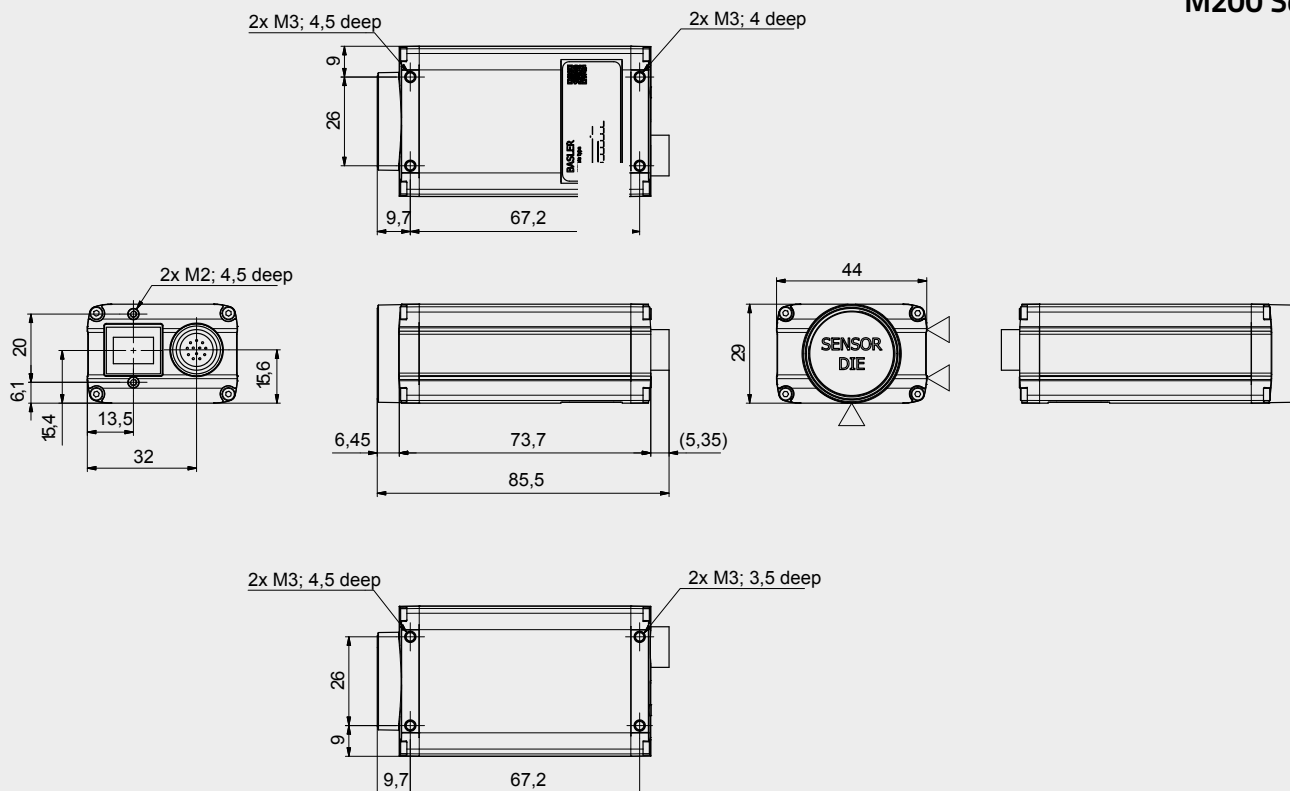
MODEL	RESOLUTION	MAX LINE RATE	PIXEL SIZE	C-MOUNT	F-MOUNT	M42-MOUNT
M565	2048	48 KHz	7 μ m x 7 μ m	▪	▪	
M570	4096	24 KHz	7 μ m x 7 μ m		▪	
M575	6144	17 KHz	7 μ m x 7 μ m		▪	▪
M580	8192	12 KHz	3.5 μ m x 3.5 μ m		▪	▪

DIMENSIONS

M100 Series

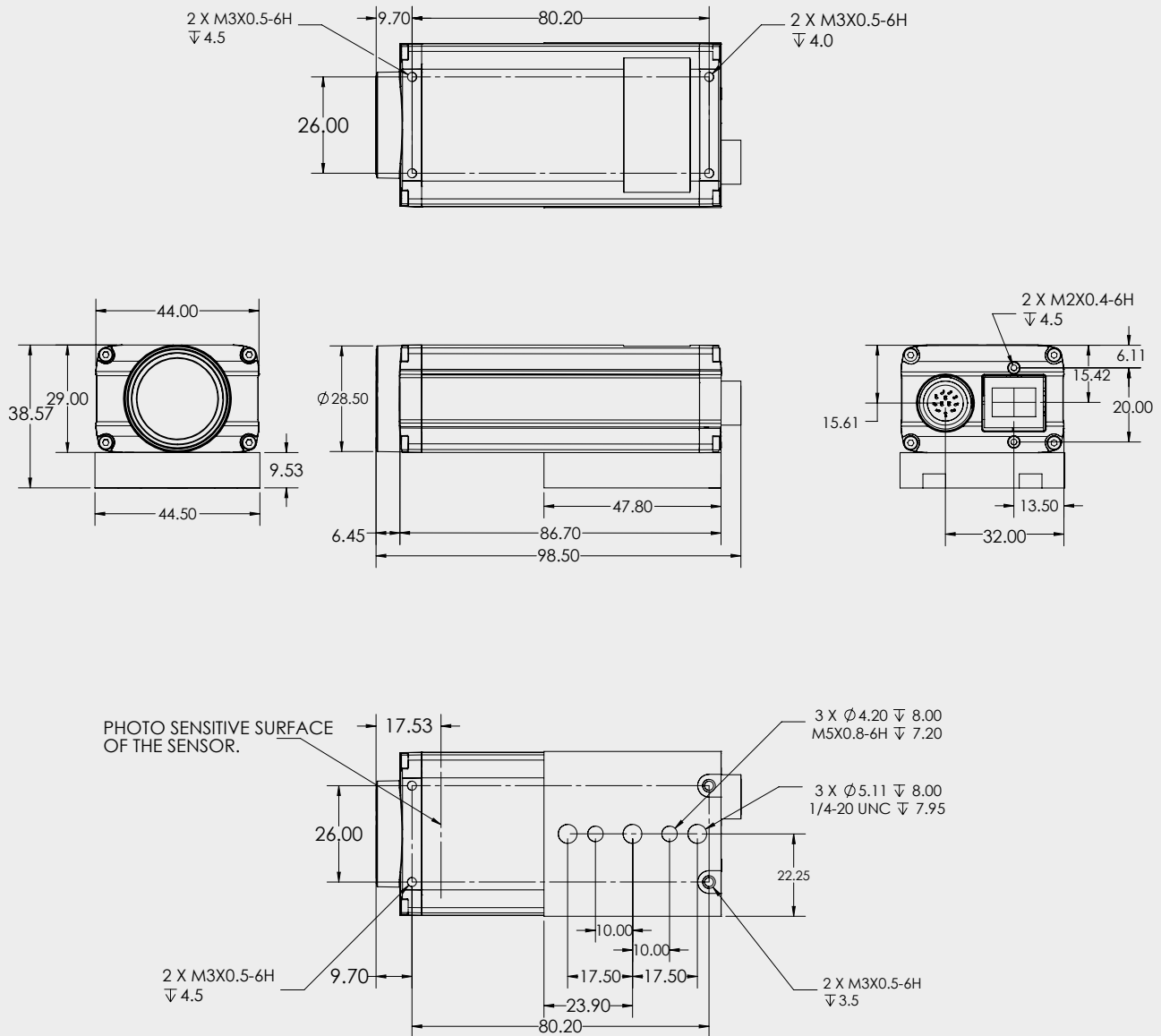


M200 Series



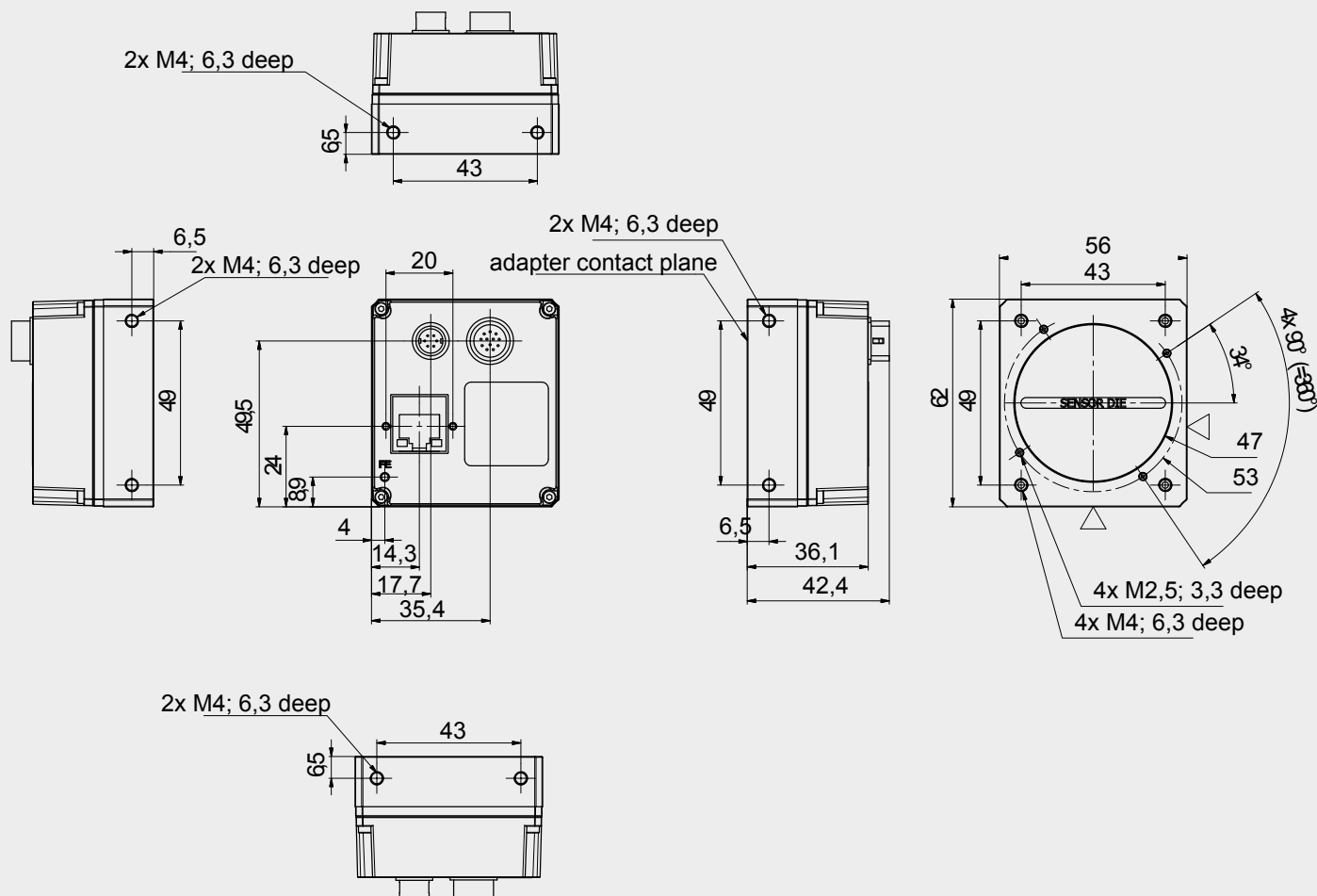
DIMENSIONS

M300 Series



DIMENSIONS

M500 Series



MODELS

DESCRIPTION	ORDER N°
Vision processors	
MX20 Vision Processor, Windows 7, 4 GB RAM, 2 Camera Licensed	959912001
MX40 Vision Processor, Windows 7, 4 GB RAM, 1 Camera Licensed	959914001
MX40 Vision Processor, Windows 7, 4 GB RAM, 2 Camera Licensed	959914002
MX40 Vision Processor, Windows 7, 4 GB RAM, 3 Camera Licensed	959914003
MX40 Vision Processor, Windows 7, 4 GB RAM, 4 Camera Licensed	959914004
MX80 Vision Processor, Windows 7, 8 GB RAM, 1 Camera Licensed	959918001
MX80 Vision Processor, Windows 7, 8 GB RAM, 2 Camera Licensed	959918002
MX80 Vision Processor, Windows 7, 8 GB RAM, 3 Camera Licensed	959918003
MX80 Vision Processor, Windows 7, 8 GB RAM, 4 Camera Licensed	959918004
Cameras	
Camera, M100, Gig-E, 659 x 494, 100 FPS, Grayscale, 1/4" CCD	601-0351
Camera, M100C, Gig-E, 659 x 494, 100 FPS, Color, 1/4" CCD	601-0378
Camera, M110, Gig-E, 659 x 494, 90 FPS, Grayscale, 1/3" CCD	601-0423
Camera, M110C, Gig-E, 659 x 494, 90 FPS, Color, 1/3" CCD	601-0424
Camera, M115, Gig-E, 659 x 494, 100 FPS, Grayscale, 1/2" CCD	601-0450
Camera, M115C, Gig-E, 659 x 494, 100 FPS, Color, 1/2" CCD	601-0451
Camera, M125, Gig-E, 782 x 582, 75 FPS, Grayscale, 1/2" CCD	601-0452
Camera, M125C, Gig-E, 782 x 582, 75 FPS, Color, 1/2" CCD	601-0453
Camera, M150, Gig-E, 1296 x 966, 30 FPS, Grayscale, 1/3" CCD	601-0352
Camera, M150C, Gig-E, 1296 x 966, 30 FPS, Color, 1/3" CCD	601-0379
Camera, M180, Gig-E, 1628 x 1236, 20 FPS, Grayscale, 1/1.8" CCD	601-0357
Camera, M180C, Gig-E, 1628 x 1236, 20 FPS, Color, 1/1.8" CCD	601-0384
Camera, M190, Gig-E, 2048 x 1088, 50 FPS, Grayscale, 2/3" CMOS	601-0454
Camera, M190C, Gig-E, 2048 x 1088, 50 FPS, Color, 2/3" CMOS	601-0455
Camera, M195, Gig-E, 2048 x 2048, 25 FPS, Grayscale, 1" CMOS	601-0456
Camera, M195C, Gig-E, 2048 x 2048, 25 FPS, Color, 1" CMOS	601-0457
Camera, M197, Gig-E, 2592 x 1944, 14 FPS, Grayscale, 1/2.5" CMOS	959931010
Camera, M197C, Gig-E, 2592x1944, 14 FPS, Color, 1/2.5" CMOS	959931011
Camera, M200, Gig-E, 659 x 494, 70 FPS, Grayscale, 1/3" CCD	601-0358
Camera, M200C, Gig-E, 659 x 494, 70 FPS, Color, 1/3" CCD	601-0385
Camera, M202, Gig-E, 659 x 494, 79 FPS, Grayscale, 1/2" CCD	601-0359
Camera, M202C, Gig-E, 659 x 494, 79 FPS, Color, 1/2" CCD	601-0386
Camera, M205, Gig-E, 752 x 480, 64 FPS, Grayscale, 1/3" CMOS	601-0426
Camera, M205C, Gig-E, 752 x 480, 64 FPS, Color, 1/3" CMOS	601-0427
Camera, M210, Gig-E, 782 x 582, 55 FPS, Grayscale, 1/2" CCD	601-0360
Camera, M210C, Gig-E, 782 x 582, 55 FPS, Color, 1/2" CCD	601-0387
Camera, M230, Gig-E, 1034 x 779, 31 FPS, Grayscale, 1/3" CCD	601-0361
Camera, M230C, Gig-E, 1034 x 779, 31 FPS, Color, 1/3" CCD	601-0388
Camera, M250, Gig-E, 1296 x 966, 32 FPS, Grayscale, 1/3" CCD	601-0362
Camera, M250C, Gig-E, 1296 x 966, 32 FPS, Color, 1/3" CCD	601-0389
Camera, M270, Gig-E, 1392 x 1040, 30 FPS, Grayscale, 2/3" CCD	601-0363
Camera, M270C, Gig-E, 1392 x 1040, 30 FPS, Color, 2/3" CCD	601-0390
Camera, M290, Gig-E, 1628 x 1236, 14 FPS, Grayscale, 1/1.8" CCD	601-0353
Camera, M290C, Gig-E, 1628 x 1236, 14 FPS, Color, 1/1.8" CCD	601-0380
Camera, M295, Gig-E, 1628 x 1236, 28 FPS, Grayscale, 1/1.8" CCD	601-0420
Camera, M295C, Gig-E, 1628 x 1236, 28 FPS, Color, 1/1.8" CCD	601-0421
Camera, M300, Gig-E, 648 x 488, 210 FPS, Grayscale, 1/3" CCD	601-0354
Camera, M300C, Gig-E, 648 x 488, 210 FPS, Color, 1/3" CCD	601-0381
Camera, M330, Gig-E, 1004 x 1004, 60 FPS, Grayscale, 2/3" CCD	601-0364
Camera, M330C, Gig-E, 1004 x 1004, 60 FPS, Color, 2/3" CCD	601-0391
Camera, M350, Gig-E, 1608 x 1208, 35 FPS, Grayscale, 1" CCD	601-0365
Camera, M350C, Gig-E, 1608 x 1208, 35 FPS, Color, 1" CCD	601-0392
Camera, M390, Gig-E, 2448 x 2050 (5MP), 17 FPS, Grayscale, 2/3" CCD	601-0355
Camera, M390C, Gig-E, 2448 x 2050 (5MP), 17 FPS, Color, 2/3" CCD	601-0382
Camera, M565, Gig-E, 2048 Linescan, 51KHz, Grayscale	959931002
Camera, M570, Gig-E, 4096 Linescan, 26KHz, Grayscale	959931003
Camera, M575, Gig-E, 6144 Linescan, 17KHz, Grayscale	959933020
Camera, M580, Gig-E, 8192 Linescan, 12KHz, Grayscale	959933021

ACCESSORIES

DESCRIPTION	ORDER N°
I/O Cables, MX Series Processors	
Cable, I/O, MX Series, Processor to Terminal Block, .75 Meter	606-0675-.75
Cable, I/O, MX Series, Processor to Terminal Block, 1.5 Meter	606-0675-1.5
Cable, I/O, MX Series, Processor to Terminal Block, 3 Meter	606-0675-3
Cable, I/O, MX Series, Processor to Terminal Block, 4.5 Meter	606-0675-4.5
Cable, I/O, MX Series, Processor to Terminal Block, 7.5 Meter	606-0675-7.5
Cable, I/O, MX Series, Processor to Terminal Block, 15 Meter	95A906060
I/O Boards, MX Series Processors	
I/O Board, MX-Series Processors, Female DB37, DIN Rail Mountable, no isolation	248-0110
I/O Board, MX-Series External I/O terminal Block, DIN Rail Mountable, with isolation	661-0403
Power and I/O Cables to Terminal Block, M Series Cameras	
Cable, Camera I/O, M1xx, M5xx, 6 pin, 2 Meter, Camera to Terminal Block	606-0674-02
Cable, Camera I/O, M1xx, M5xx, 6 pin, 3 Meter, Camera to Terminal Block	606-0674-03
Cable, Camera I/O, M1xx, M5xx, 6 pin, 5 Meter, Camera to Terminal Block	606-0674-05
Cable, Camera I/O, M1xx, M5xx, 6 pin, 10 Meter, Camera to Terminal Block	606-0674-10
Cable, Camera I/O, M1xx, M5xx, 6 pin, 15 Meter, Camera to Terminal Block	606-0674-15
Cable, Camera I/O, M1xx, M5xx, 6 pin, 20 Meter, Camera to Terminal Block	606-0674-20
Cable, Camera Power and I/O, M2xx, M3xx and M5xx, 12 pin, 2 Meter, Camera to Terminal Block	606-0673-02
Cable, Camera Power and I/O, M2xx, M3xx and M5xx, 12 pin, 3 Meter, Camera to Terminal Block	606-0673-03
Cable, Camera Power and I/O, M2xx, M3xx and M5xx, 12 pin, 5 Meter, Camera to Terminal Block	606-0673-05
Cable, Camera Power and I/O, M2xx, M3xx and M5xx, 12 pin, 10 Meter, Camera to Terminal Block	606-0673-10
Cable, Camera Power and I/O, M2xx, M3xx and M5xx, 12 pin, 15 Meter, Camera to Terminal Block	606-0673-15
Power and I/O Cables Underminated, M Series Cameras	
M1xx Camera I/O Cable, 6 pin, 2 Meter, pigtail	606-0672-02
M1xx Camera I/O Cable, 6 pin, 3 Meter, pigtail	606-0672-03
M1xx Camera I/O Cable, 6 pin, 5 Meter, pigtail	606-0672-05
M1xx Camera I/O Cable, 6 pin, 10 Meter, pigtail	606-0672-10
M2xx and M3xx Camera Power and I/O Cable, 12 pin, 2 Meter, pigtail	606-0671-02
M2xx and M3xx Camera Power and I/O Cable, 12 pin, 3 Meter, pigtail	606-0671-03
M2xx and M3xx Camera Power and I/O Cable, 12 pin, 5 Meter, pigtail	606-0671-05
M2xx and M3xx Camera Power and I/O Cable, 12 pin, 10 Meter, pigtail	606-0671-10
M2xx and M3xx Camera Power and I/O Cable, 12 pin, 15 Meter, pigtail	606-0671-15
I/O Boards, M Series Cameras	
I/O Board, M1xx Camera, 1 Input / 1 Output, Female DB9, DIN Rail Mountable, no isolation	248-0140
I/O Board, M1xx Camera, w / isolation	661-0399
I/O Board, M2xx and M3xx Cameras, Female HD15, DIN Rail Mountable, no isolation	248-0141
I/O Board, M2xx, M3xx, & Aviator Camera, w / isolation	661-0400
I/O Board, M5xx Camera, w / isolation	661-0401
Brackets, M Series Cameras	
Camera Mount, M1xx Cameras	95A903029
Camera Mount, M2xx and M3xx Cameras	381-1354
Ethernet Cables, M Series Cameras	
Cable, Gig-E, CAT6, 2 Meter	606-0677-02
Cable, Gig-E, CAT6, 3 Meter	606-0677-03
Cable, Gig-E, CAT6, 5 Meter	606-0677-05
Cable, Gig-E, CAT6, 7 Meter	606-0677-07
Cable, Gig-E, CAT6, 10 Meter	606-0677-10
Cable, Gig-E, CAT6, 15 Meter	606-0677-15
Cable, Gig-E, CAT6, 25 Meter	606-0677-25
Cable, Gig-E, CAT6, 50 Meter	606-0677-50
Licenses, MX Series Processors	
License, Pattern Sorting Tool, Processor	95A906545
License, OCR, 1 Camera Processor	95A906541
License, OCR, 2 Camera Processor	95A906542
License, OCR, 3 Camera Processor	95A906543
License, OCR, 4 Camera Processor	95A906544
License, Add 1 Camera, MX-Series	95A906536
License, Add 2 Cameras, MX-Series	95A906537
License, Add 3 Cameras, MX-Series	95A906538
License, 3rd Party Cameras, Processor	95A906539