

iView HMI - M Series



- 24VDC Powered
- Three Serial Ports
- Inbuilt LAN Port
- USB For Programming
- Remote Monitoring Using VNC Server
- MicroSD For Data Logging



Options & Ordering Codes

| | IV | 04 | M | - | S | E | A | P | |
|-------------------------------|-----------|-----------|----------|----------|----------|------------------|---------------------|---|--|
| Series Name | | | | | | | Material | | |
| iView | IV | | | | | | P | Plastic | |
| | | | | | | | A | Aluminium | |
| Screen Size (Diagonal) | | | | | | | COM Ports | | |
| 4.3" | | 04 | | | | | A | (RS232 / 485 / 422), (RS485 / 422), (RS232) | |
| 7.0" | | 07 | | | | | | | |
| 10.4" | | 10 | | | | | Connectivity | | |
| 15.0" | | 15 | | | | E | Ethernet | | |
| Hardware Specification | | | | | | Operation | | | |
| Specification | | | M | | S | Standard | | | |

Specifications

| Ordering Codes | IV04M-SEAP | IV07M-SEAP | IV10M-SEAP | IV15M-SEAA |
|-----------------------|----------------|----------------|----------------|----------------|
| Size | 4.3" | 7.0" | 10.4" | 15.0" |
| Resolution | 480 x 272 | 800 x 480 | 800 x 600 | 1024 x 768 |
| Colours | 65K | 65K | 65K | 65K |
| NOR Flash Memory | 8 MB | 8 MB | 8 MB | 8 MB |
| NAND Flash Memory | 128 MB | 128 MB | 128 MB | 128 MB |
| Battery Backup Memory | 128 KB | 128 KB | 128 KB | 128 KB |
| COM 1 | RS 232/422/485 | RS 232/422/485 | RS 232/422/485 | RS 232/422/485 |
| COM 2 | RS 232/485 | RS 232/485 | RS 232/485 | RS 232/485 |
| COM 3 | RS 232 | RS 232 | RS 232 | RS 232 |
| USB | 2 | 2 | 2 | 2 |
| Real Time Clock | Built In | Built In | Built In | Built In |
| MicroSD Card | Up To 16 GB | Up To 16 GB | Up To 16 GB | Up To 16 GB |
| Certification | UL, CE, cUL | UL, CE, cUL | UL, CE, cUL | UL, CE, cUL |
| Ratings | IP66 | IP66 | IP66 | IP66 |
| Voltage Ratings | 24VDC | 24VDC | 24VDC | 24VDC |
| Operating Temperature | -10°C to +60°C | -10°C to +60°C | -10°C to +60°C | -10°C to +60°C |

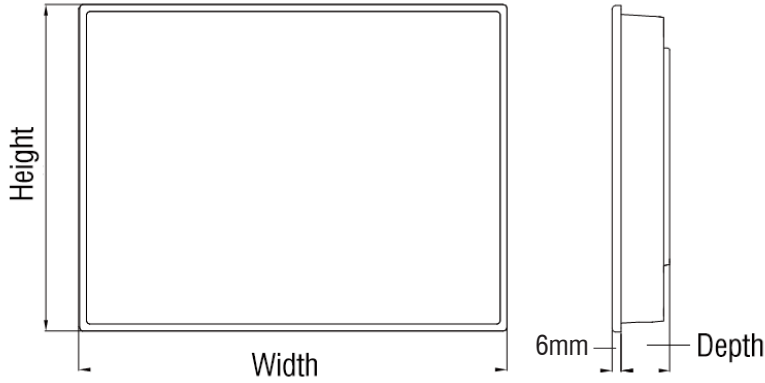
iView HMI - M Series



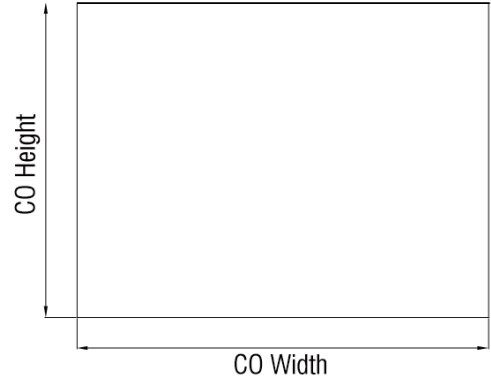
Accessories

| Ordering Codes | MSD-16GB | iV-USB |
|----------------|--------------------|-----------------------|
| Description | 16 GB MicroSD Card | USB Programming Cable |

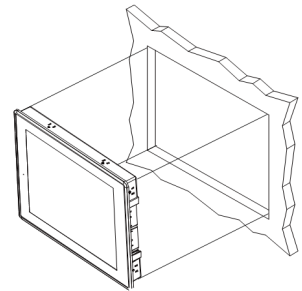
Dimensions



Cut Out Dimensions



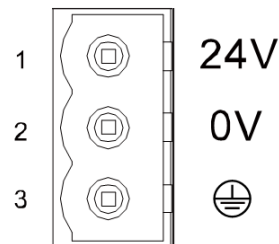
| Model | Width | Height | Depth | CO Width | CO Height |
|------------|---------|---------|--------|----------|-----------|
| IV04M-SEAP | 130mm | 106.2mm | 37mm | 119mm | 93mm |
| IV07M-SEAP | 188mm | 143.3mm | 30mm | 175mm | 132.5mm |
| IV10M-SEAP | 270.1mm | 212.1mm | 38mm | 259.5mm | 201.5mm |
| IV15M-SEAA | 399.1mm | 297.6mm | 50.6mm | 384.5mm | 283mm |



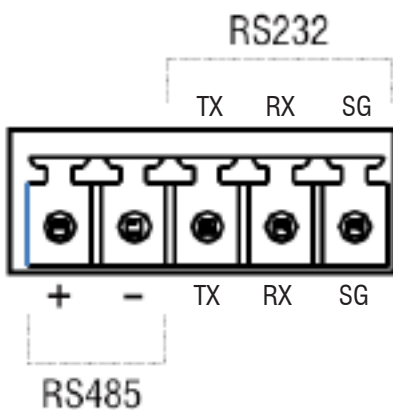
Connections

| B-Type COM1 (DB-9-Female) | |
|---------------------------|-------------------|
| Pin | Description |
| 1 | RS422 TXD+/RS485+ |
| 2 | RS232 RXD(COM1) |
| 3 | RS232 TXD(COM1) |
| 4 | RS422 RXD+ |
| 5 | SG |
| 6 | RS422 TXD-/RS485- |
| 7 | RS232 TXD(COM3) |
| 8 | RS232 RXD(COM3) |
| 9 | RS422 RXD- |

Power Supply



NOTE: Do not open the rear cover of the panel when power is applied





**CONNECTRIC
SYSTEMS INC.**

28-207 Edgeley Blvd., Concord, Ontario, L4K 4B5
 Ph: 905-669-0080 Fax: 905-669-0082
 www.connectric.com info@connectric.com