

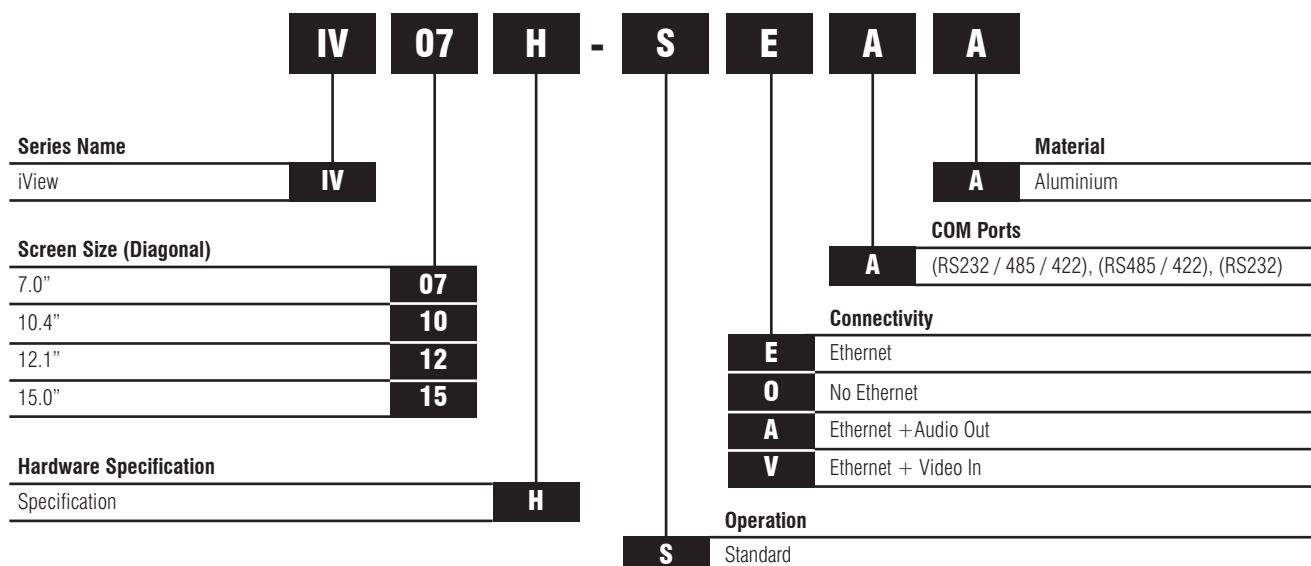
iView HMI - H Series



- 24VDC Powered
- Three Serial Ports
- Inbuilt LAN Port
- USB For Programming
- Remote Monitoring Using VNC Server
- MicroSD For Data Logging



Options & Ordering Codes



Specifications

Ordering Codes	IV07H-SEAA	IV10H-SEAA	IV12H-SEAA	IV15H-SEAA
Size	7.0"	10.4"	12.1"	15.0"
Resolution	800 x 480	800 x 600	1024 x 768	1024 x 768
Colours	65K	65K	65K	65K
Working Memory	256 MB	256 MB	256 MB	256 MB
Built In Storage Memory	1024 MB	1024 MB	1024 MB	1024 MB
COM 1	RS 232/422/485	RS 232/422/485	RS 232/422/485	RS 232/422/485
COM 2	RS 232/485	RS 232/485	RS 232/485	RS 232/485
COM 3	RS 232	RS 232	RS 232	RS 232
USB	2	2	2	2
Real Time Clock	Built In	Built In	Built In	Built In
MicroSD Card	Up To 16 GB	Up To 16 GB	Up To 16 GB	Up To 16 GB
Audio	Optional	Optional	Optional	Optional
Video	Optional	Optional	Optional	Optional
Certification	UL, CE, cUL	UL, CE, cUL	UL, CE, cUL	UL, CE, cUL
Ratings	IP66	IP66	IP66	IP66
Voltage Ratings	24VDC	24VDC	24VDC	24VDC
Operating Temperature	-20°C to +60°C	-20°C to +60°C	-20°C to +60°C	-20°C to +60°C

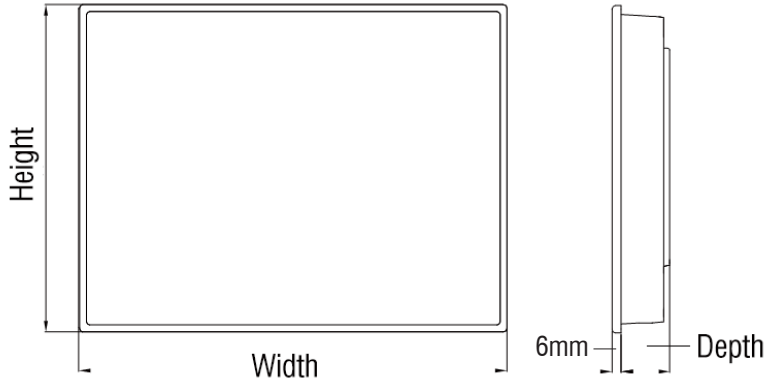
iView HMI - H Series



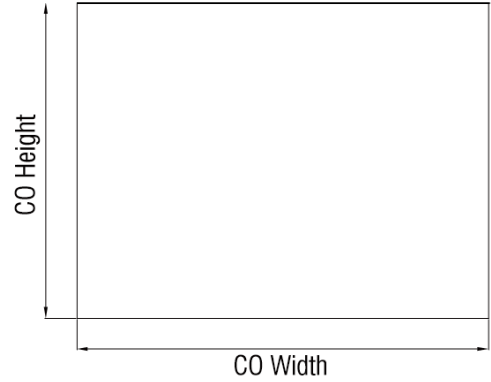
Accessories

Ordering Codes	MSD-16GB	iV-USB
Description	16 GB MicroSD Card	USB Programming Cable

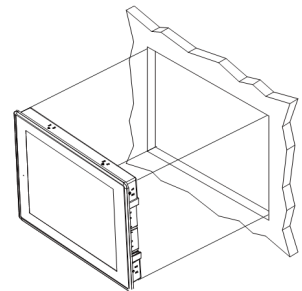
Dimensions



Cut Out Dimensions



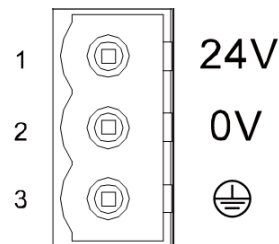
Model	Width	Height	Depth	CO Width	CO Height
IV07H-SEAA	188mm	143.3mm	30mm	175mm	132.5mm
IV10H-SEAA	280.3mm	222.3mm	40mm	259mm	201mm
IV12H-SEAA	317.35mm	243.8mm	48mm	301mm	227mm
IV15H-SEAA	399.1mm	297.6mm	50mm	384.5mm	283mm



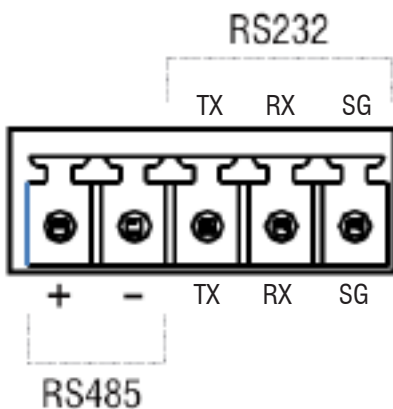
Connections

B-Type COM1 (DB-9-Female)	
Pin	Description
1	RS422 TXD+ /RS485+
2	RS232 RXD(COM1)
3	RS232 TXD(COM1)
4	RS422 RXD+
5	SG
6	RS422 TXD-/RS485-
7	RS232 TXD(COM3)
8	RS232 RXD(COM3)
9	RS422 RXD-

Power Supply



NOTE: Do not open the rear cover of the panel when power is applied





**CONNECTRIC
SYSTEMS INC.**

28-207 Edgeley Blvd., Concord, Ontario, L4K 4B5
 Ph: 905-669-0080 Fax: 905-669-0082
 www.connectric.com info@connectric.com